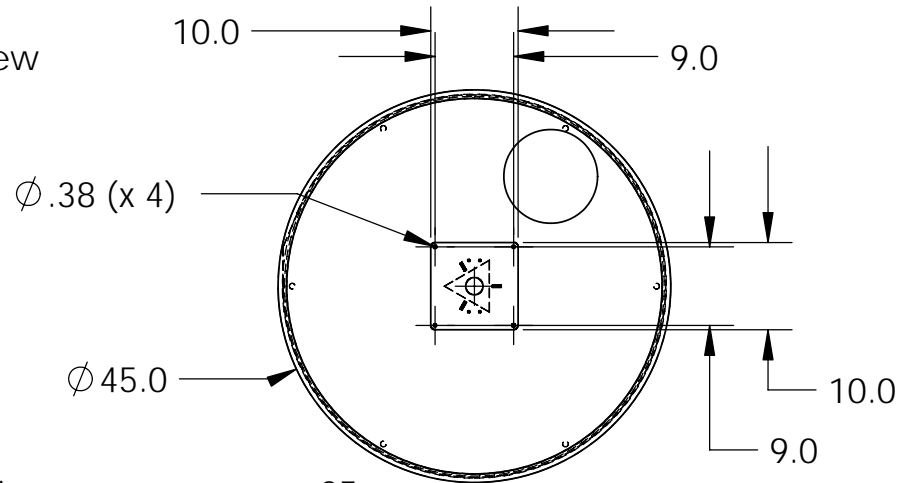
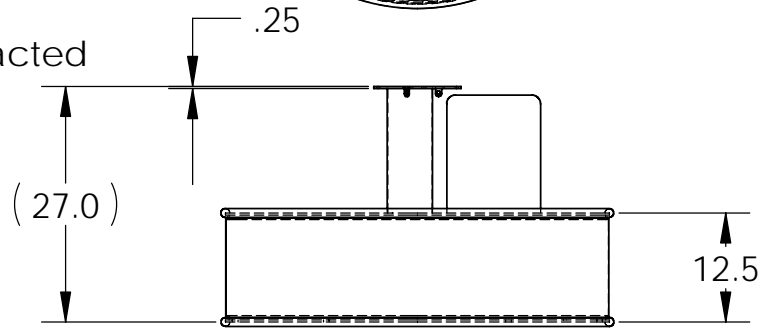


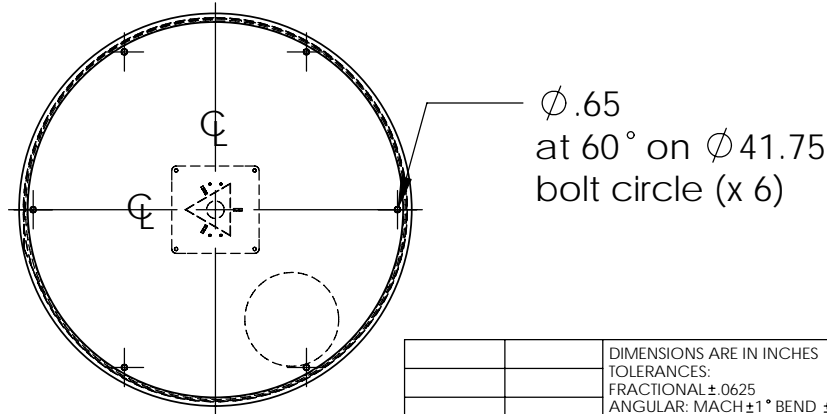
Top View



Side View
Fully Retracted



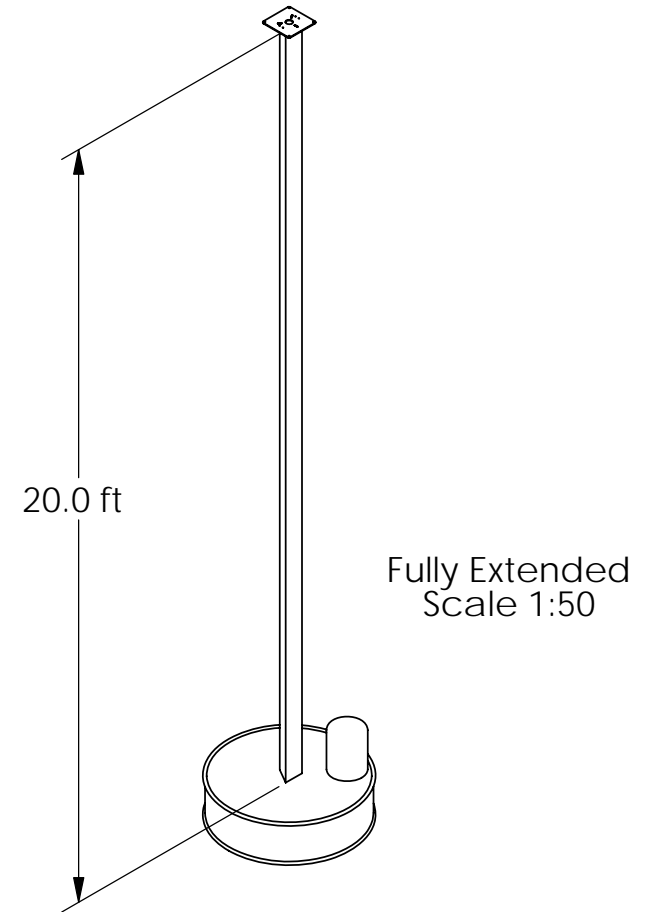
Bottom View



PROPRIETARY AND CONFIDENTIAL
THE INFORMATION CONTAINED IN THIS DRAWING IS THE SOLE PROPERTY OF ACTUA SYSTEMS INC. ANY REPRODUCTION IN PART OR AS A WHOLE WITHOUT THE WRITTEN PERMISSION OF ACTUA SYSTEMS INC. IS PROHIBITED.

		DIMENSIONS ARE IN INCHES TOLERANCES: FRACTIONAL $\pm .0625$ ANGULAR: MACH $\pm 1^\circ$ BEND $\pm 3^\circ$ ONE PLACE DECIMAL $\pm .02$ TWO PLACE DECIMAL $\pm .015$ THREE PLACE DECIMAL $\pm .005$ REF DIM: OPEN TOLERANCE		NAME	DATE
		MATERIAL		DRAWN	DDP 07/25/08
		FINISH		CHECKED	
NEXT ASSY		USED ON		ENG APPR.	
APPLICATION		DO NOT SCALE DRAWING		MFG APPR.	
				Q.A.	
				COMMENTS: Break All Edges Ref Dims in Parentheses	

REVISIONS				
ZONE	REV.	DESCRIPTION	DATE	APPROVED
	A			
	B			
	C			
	D			
	E			
	F			



ACTUA

PositionIt Model 6
Standard

FILE NAME
model 6 top level assembly

SIZE DWG. NO. REV.
A

SCALE: 1:22 WEIGHT: 350 lbs (base unit) SHEET 2 OF 5