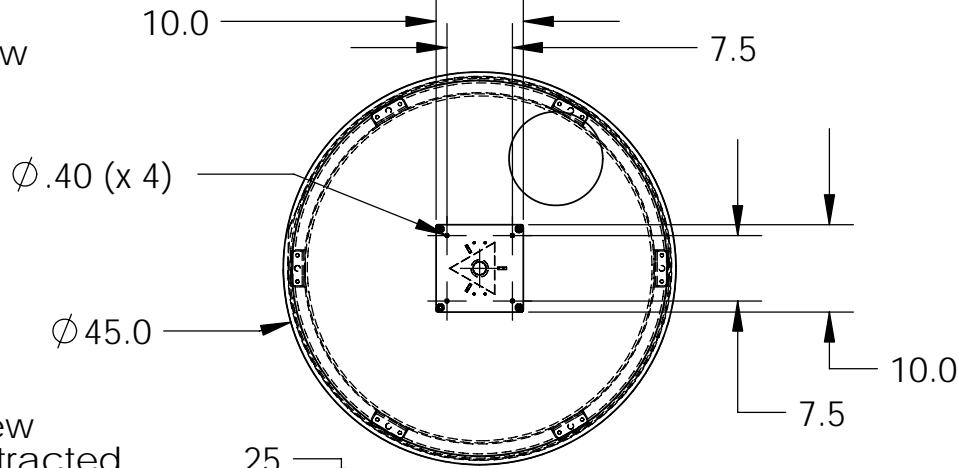
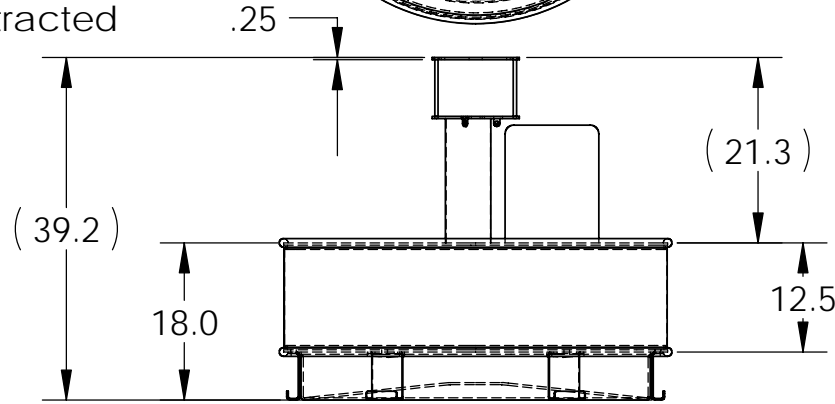


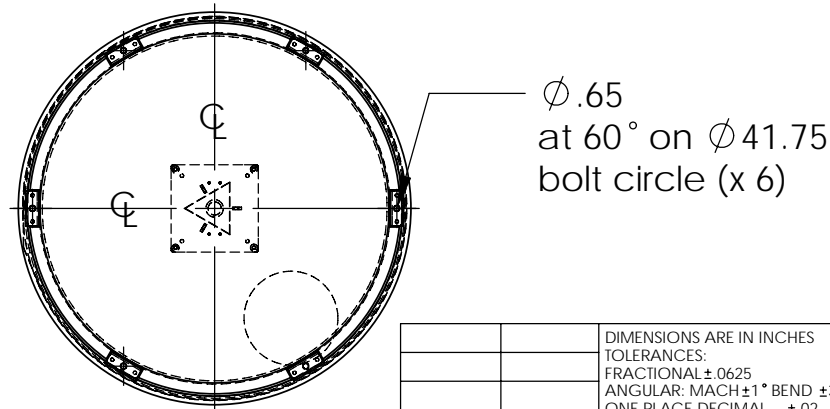
Top View



Side View Fully Retracted



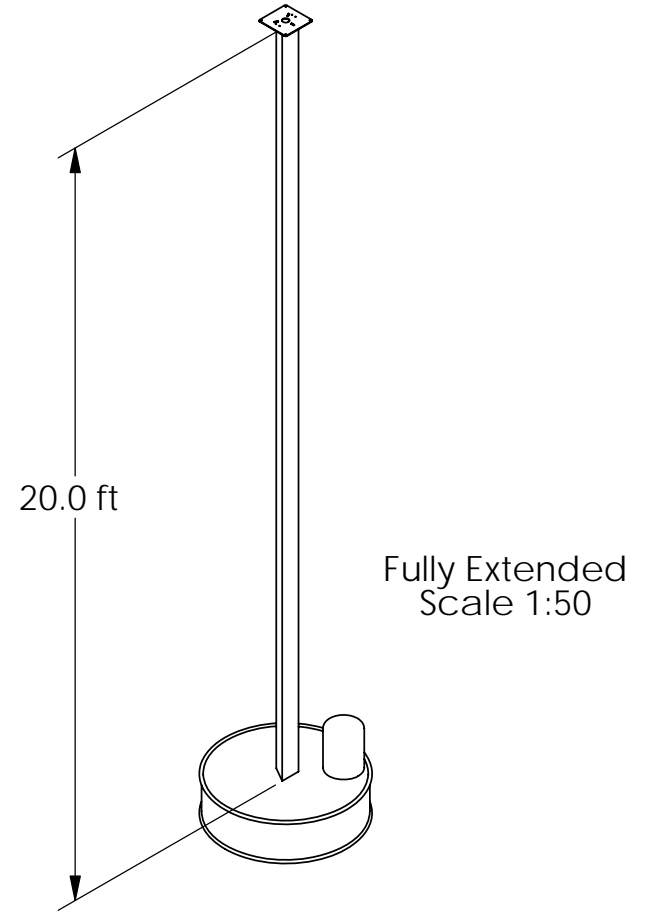
Bottom View



PROPRIETARY AND CONFIDENTIAL
 THE INFORMATION CONTAINED IN THIS DRAWING IS THE SOLE PROPERTY OF ACTUA SYSTEMS INC. ANY REPRODUCTION IN PART OR AS A WHOLE WITHOUT THE WRITTEN PERMISSION OF ACTUA SYSTEMS INC. IS PROHIBITED.

		DIMENSIONS ARE IN INCHES		NAME		DATE	
		TOLERANCES:		DRAWN		DDP 07/25/08	
		FRACTIONAL ±.0625		CHECKED			
		ANGULAR: MACH ±1° BEND ±3°		ENG APPR.			
		ONE PLACE DECIMAL ±.02		MFG APPR.			
		TWO PLACE DECIMAL ±.015		Q.A.			
		THREE PLACE DECIMAL ±.005		COMMENTS:			
		REF DIM: OPEN TOLERANCE		Break All Edges			
NEXT ASSY		USED ON		Ref Dims in Parentheses			
APPLICATION		DO NOT SCALE DRAWING					

REVISIONS				
ZONE	REV.	DESCRIPTION	DATE	APPROVED
	A			
	B			
	C			
	D			
	E			
	F			



ACTUA

PositionIt Model 6
 Standard
 w/ COBRA System

FILE NAME		model 6 top level assembly	
SIZE	DWG. NO.	REV.	
A			
SCALE: 1:22	WEIGHT: 350 lbs (base unit)	SHEET 1 OF 5	