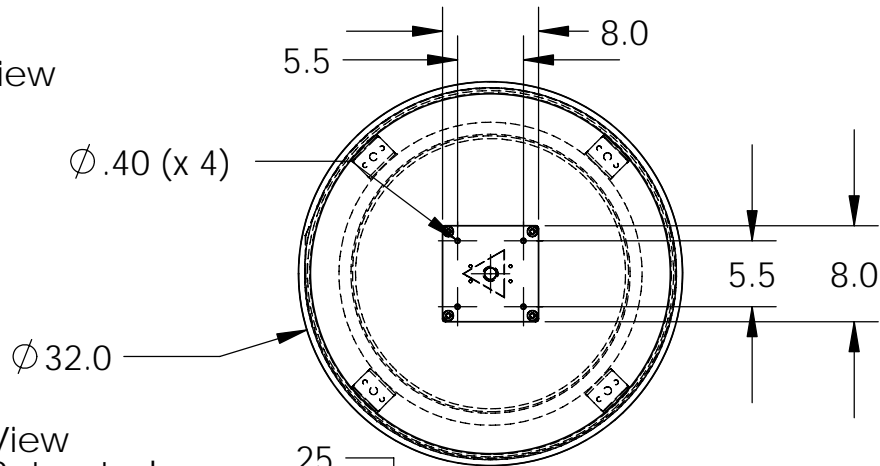
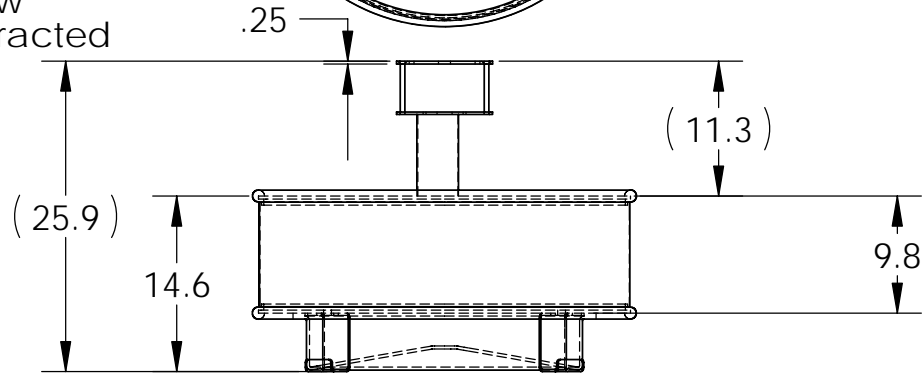


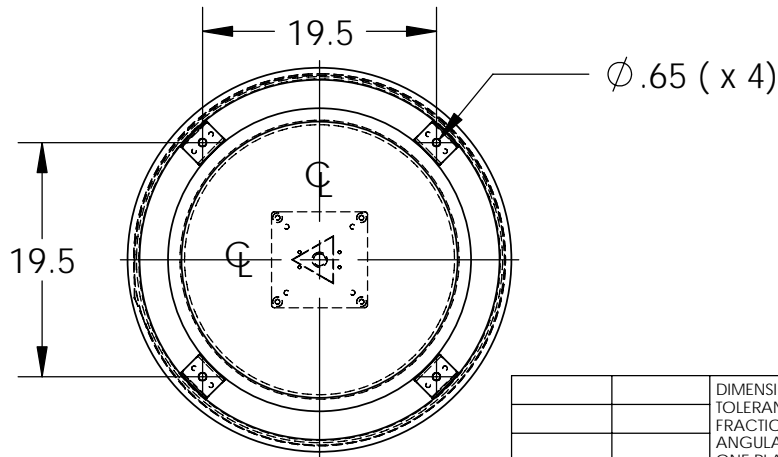
Top View



Side View Fully Retracted



Bottom View



		REVISIONS		
ZONE	REV.	DESCRIPTION	DATE	APPROVED
	A			
	B			
	C			
	D			
	E			
	F			



PROPRIETARY AND CONFIDENTIAL
THE INFORMATION CONTAINED IN THIS DRAWING IS THE SOLE PROPERTY OF ACTUA SYSTEMS INC. ANY REPRODUCTION IN PART OR AS A WHOLE WITHOUT THE WRITTEN PERMISSION OF ACTUA SYSTEMS INC. IS PROHIBITED.

		DIMENSIONS ARE IN INCHES TOLERANCES: FRACTIONAL ±.0625 ANGULAR: MACH ±1° BEND ±3° ONE PLACE DECIMAL ±.02 TWO PLACE DECIMAL ±.015 THREE PLACE DECIMAL ±.005 REF DIM: OPEN TOLERANCE		NAME	DATE	ACTUA
		MATERIAL		DDP	07/25/08	
		FINISH		CHECKED		PositionIt Model 4 Standard w/ COBRA System
		NEXT ASSY USED ON		ENG APPR.		
		APPLICATION		MFG APPR.		FILE NAME model 4 top level assembly SIZE DWG. NO. A
		DO NOT SCALE DRAWING		Q.A.		
				COMMENTS: Break All Edges Ref Dims in Parentheses		REV.
				SCALE: 1:16		WEIGHT: 150 lbs (base unit)
						SHEET 1 OF 5