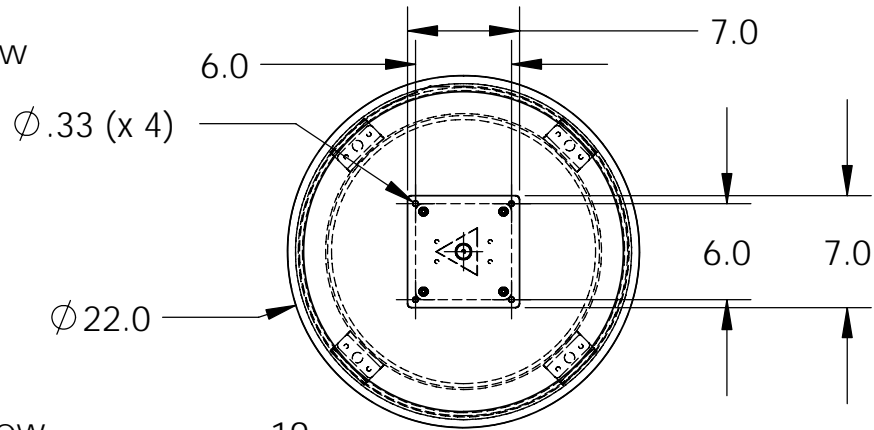
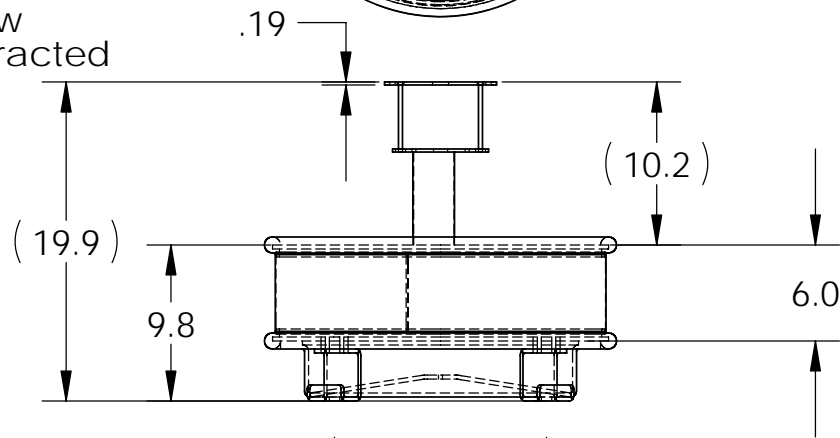


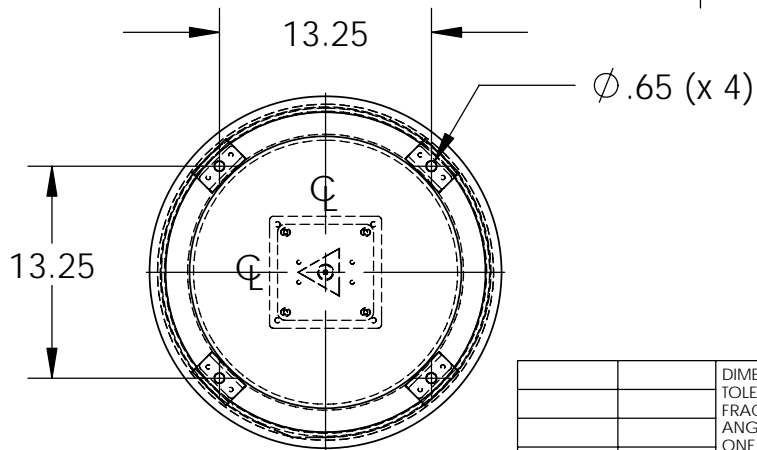
Top View



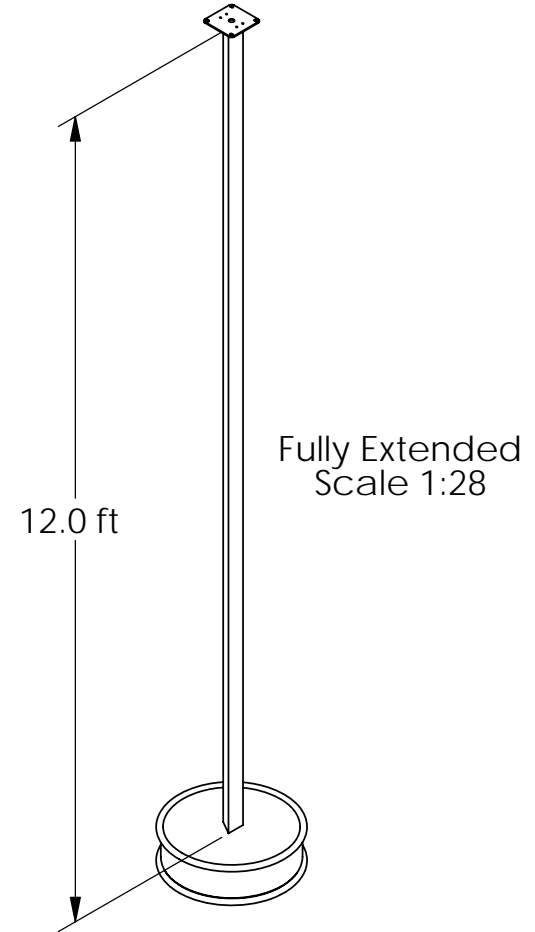
Side View Fully Retracted



Bottom View



REVISIONS				
ZONE	REV.	DESCRIPTION	DATE	APPROVED
	A			
	B			
	C			
	D			
	E			
	F			



PROPRIETARY AND CONFIDENTIAL
 THE INFORMATION CONTAINED IN THIS DRAWING IS THE SOLE PROPERTY OF ACTUA SYSTEMS INC. ANY REPRODUCTION IN PART OR AS A WHOLE WITHOUT THE WRITTEN PERMISSION OF ACTUA SYSTEMS INC. IS PROHIBITED.

		DIMENSIONS ARE IN INCHES TOLERANCES: FRACTIONAL ±.0625 ANGULAR: MACH ±1° BEND ±3° ONE PLACE DECIMAL ±.02 TWO PLACE DECIMAL ±.015 THREE PLACE DECIMAL ±.005 REF DIM: OPEN TOLERANCE	
		NAME	DATE
		DDP	07/25/08
		CHECKED	
		ENG APPR.	
		MFG APPR.	
		Q.A.	
		COMMENTS:	
		Break All Edges Ref Dims in Parentheses	
NEXT ASSY	USED ON	FINISH	
APPLICATION	DO NOT SCALE DRAWING		

ACTUA

PositionIt Model 3
 Standard
 w/ COBRA System

FILE NAME		model 3 top level assembly	
SIZE	DWG. NO.	REV.	
A			
SCALE: 1:12	WEIGHT: 80 lbs (base unit)	SHEET 1 OF 5	