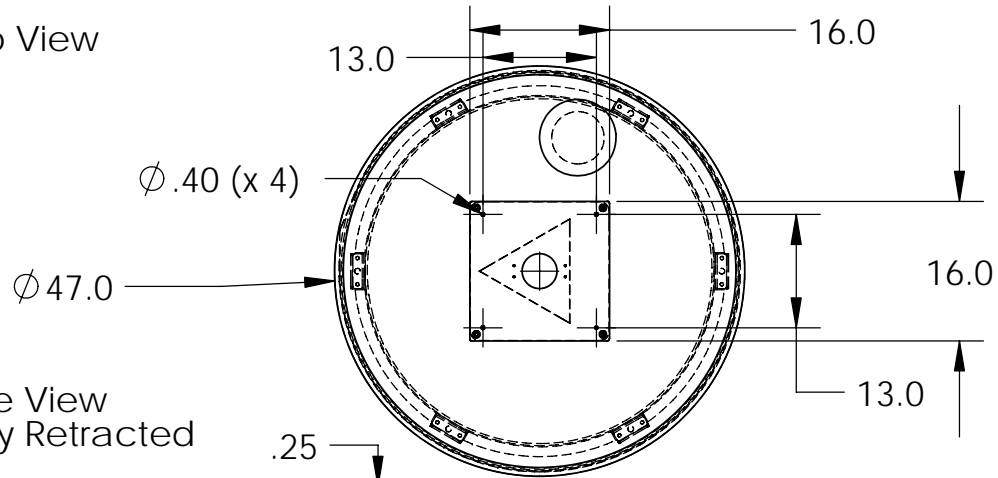
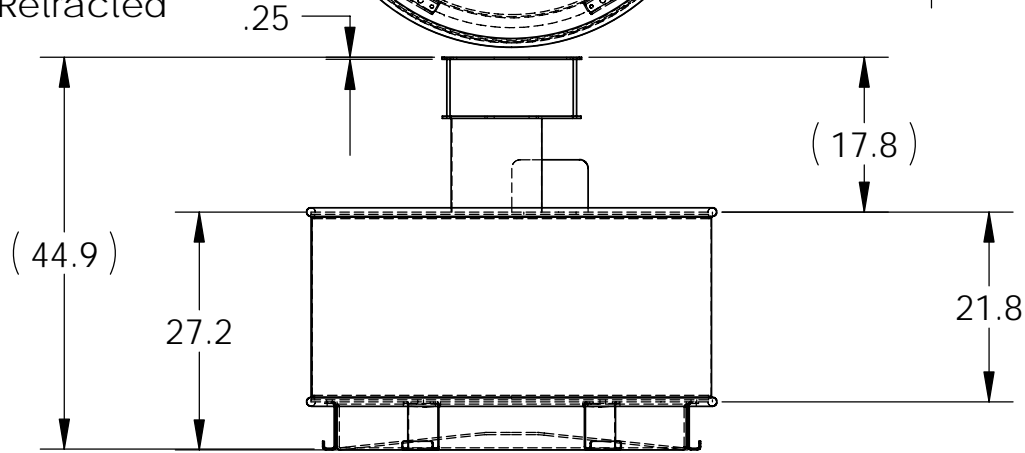


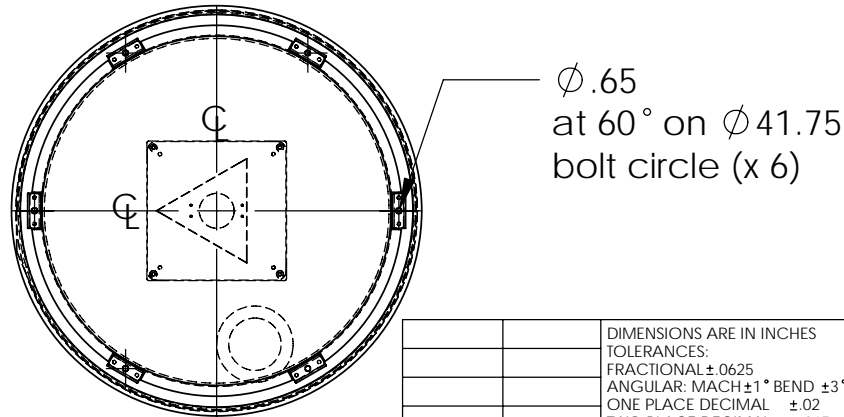
Top View



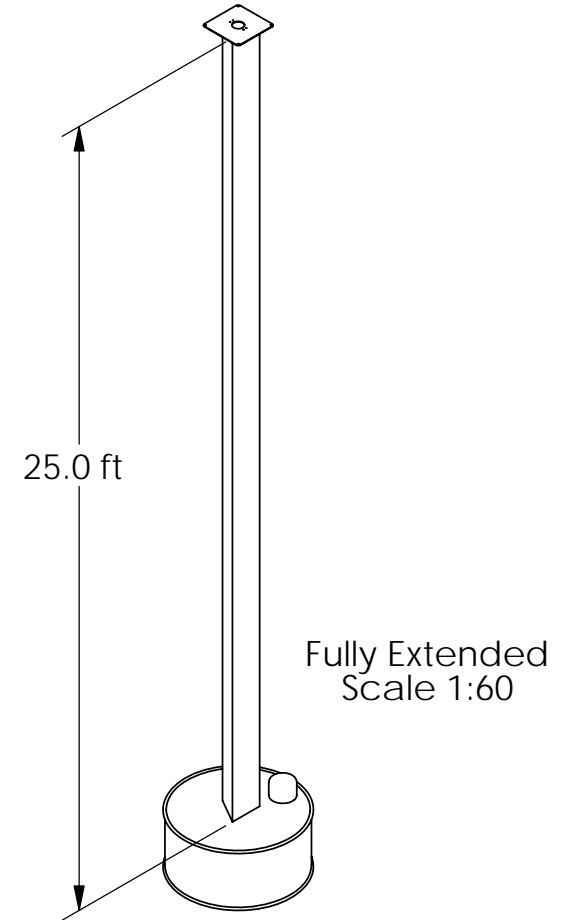
Side View Fully Retracted



Bottom View



REVISIONS				
ZONE	REV.	DESCRIPTION	DATE	APPROVED
	A			
	B			
	C			
	D			
	E			
	F			



**PROPRIETARY AND CONFIDENTIAL**  
 THE INFORMATION CONTAINED IN THIS DRAWING IS THE SOLE PROPERTY OF ACTUA SYSTEMS INC. ANY REPRODUCTION IN PART OR AS A WHOLE WITHOUT THE WRITTEN PERMISSION OF ACTUA SYSTEMS INC. IS PROHIBITED.

		DIMENSIONS ARE IN INCHES		NAME		DATE	
		TOLERANCES:		DRAWN		DDP 07/25/08	
		FRACTIONAL ±.0625		CHECKED			
		ANGULAR: MACH ±1° BEND ±3°		ENG APPR.			
		ONE PLACE DECIMAL ±.02		MFG APPR.			
		TWO PLACE DECIMAL ±.015		Q.A.			
		THREE PLACE DECIMAL ±.005		COMMENTS:			
		REF DIM: OPEN TOLERANCE		Break All Edges			
NEXT ASSY		USED ON		Ref Dims in Parentheses			
APPLICATION		DO NOT SCALE DRAWING					

**ACTUA**

PositionIt Model 12  
 Standard  
 w/ COBRA System

FILE NAME		model 12 top level assembly	
SIZE	DWG. NO.	REV.	
A			
SCALE: 1:22	WEIGHT: 625 lbs (base unit)	SHEET 1 OF 4	